

RAKE (PARAPET)

EF6010-RAKE PARAPET WALL ABOVE

EF6030-RAKE PARAPET MASONRY WALL

EF6050-RAKE PARAPET RAFTER IN HIGH BLDG

EF6060-RAKE PARAPET RAFTER IN LOW BLDG

EF6090-NON-STRUCTURAL PARAPET

EF6610-RAKE PARAPET INSULATED WALL ABOVE

EF6650-RAKE PARAPET INSULATED WALL ABOVE & BELOW

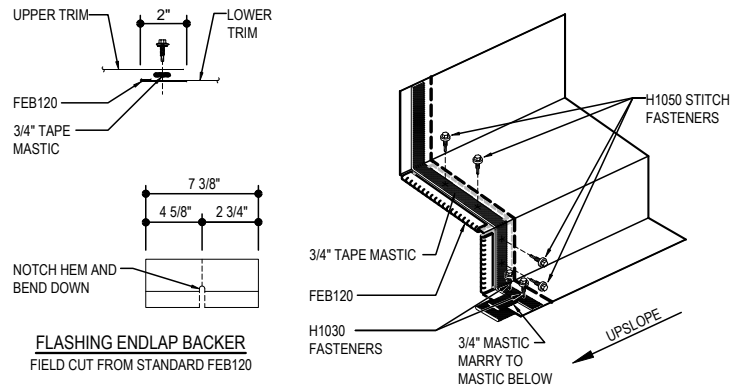
EF6690-NON-STRUCTURAL PARAPET - IMP WITH BACKER

EF6010 - RAKE PARAPET w/ WALL PANEL ABOVE

[Download the DWG file by clicking here.](#)

PARAPET LAP & FLASHING BACKER

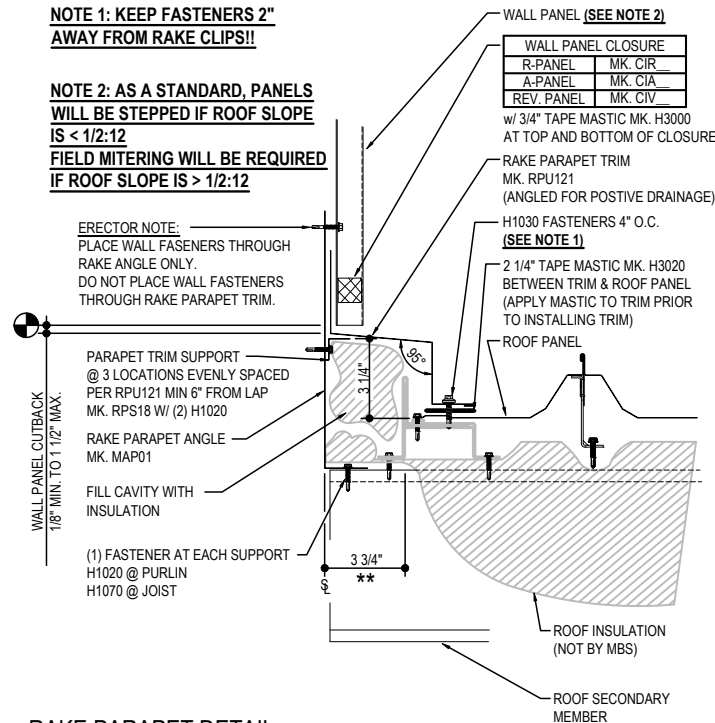
SLIDE FIELD CUT SECTION OF FLASHING ENDLAP BACKER ONTO THE LOWER TRIM PIECE AS SHOWN BELOW. PLACE TAPE MASTIC NEXT TO HEM OF THE BACKER (NOT ON TOP OF HEM). FASTEN LAP WITH STITCH FASTENERS. ROOF STRUCTURAL FASTENERS SHOULD BE USED TO FASTEN THROUGH PANEL FLAT INTO RAKE ANGLE.



NOTE 1: KEEP FASTENERS 2" AWAY FROM RAKE CLIPS!!

NOTE 2: AS A STANDARD, PANELS WILL BE STEPPED IF ROOF SLOPE IS < 1/2:12. FIELD MITERING WILL BE REQUIRED IF ROOF SLOPE IS > 1/2:12

ERECTOR NOTE:
PLACE WALL FASTENERS THROUGH RAKE ANGLE ONLY. DO NOT PLACE WALL FASTENERS THROUGH RAKE PARAPET TRIM.



RAKE PARAPET DETAIL

RAKE PARAPET DETAIL w/ WALL PANELS
SEE WALL SHEETING ERECTION NOTES FOR WALL PANEL FASTENER LOCATIONS

EF6010

Detailer Notes:

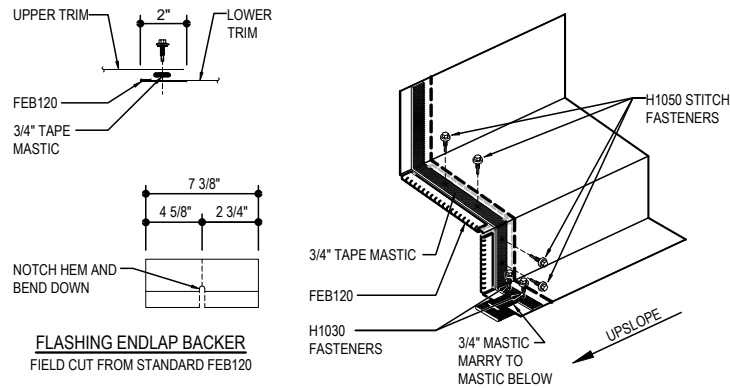
- 1) N/A

EF6030 - RAKE PARAPET w/ MASONRY WALL

[Download the DWG file by clicking here.](#)

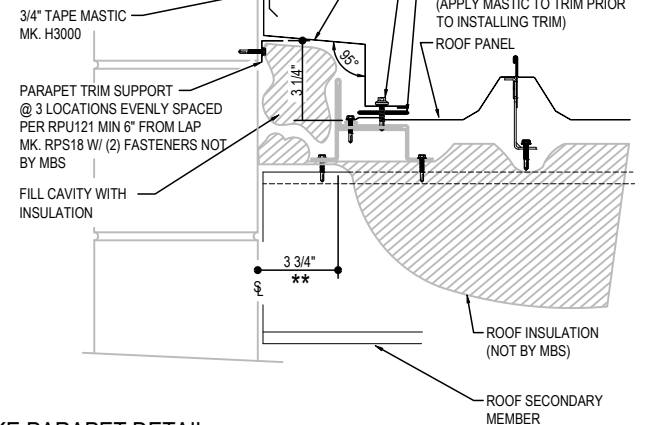
PARAPET LAP & FLASHING BACKER

SLIDE FIELD CUT SECTION OF FLASHING ENDLAP BACKER ONTO THE LOWER TRIM PIECE AS SHOWN BELOW. PLACE TAPE MASTIC NEXT TO HEM OF THE BACKER (NOT ON TOP OF HEM). FASTEN LAP WITH STITCH FASTENERS. ROOF STRUCTURAL FASTENERS SHOULD BE USED TO FASTEN THROUGH PANEL FLAT INTO RAKE ANGLE.



NOTE 1: KEEP FASTENERS 2" AWAY FROM RAKE CLIPS!!

ERECTOR NOTE:
DO NOT FASTEN RAKE PARAPET TRIM TO MASONRY WALL OR EXISTING BUILDING



RAKE PARAPET DETAIL
RAKE PARAPET DETAIL w/ MASONRY WALL

EF6030

Detailer Notes:

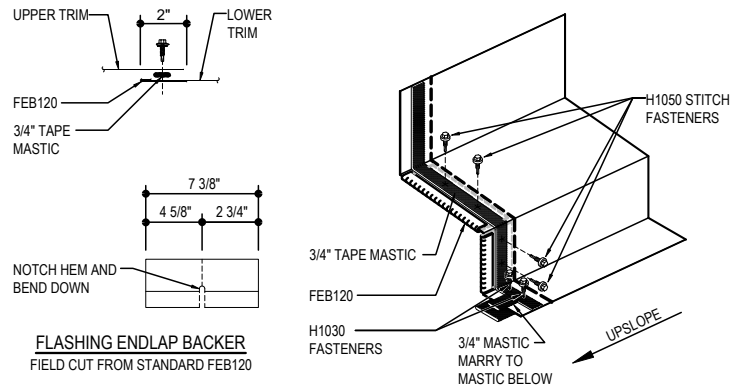
- 1) N/A

EF6050 - RAKE PARAPET w/ RAFTER IN HIGH BUILDING

[Download the DWG file by clicking here.](#)

PARAPET LAP & FLASHING BACKER

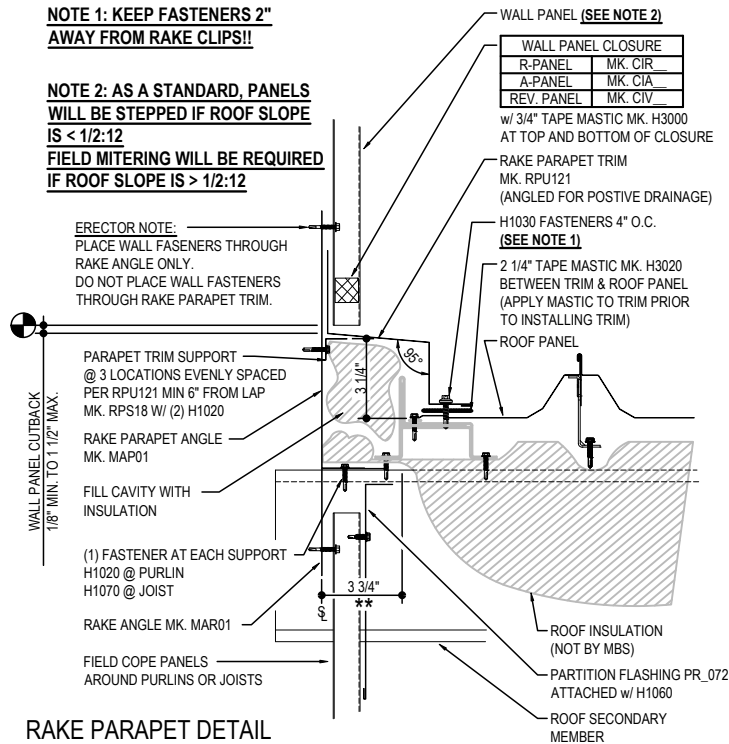
SLIDE FIELD CUT SECTION OF FLASHING ENDLAP BACKER ONTO THE LOWER TRIM PIECE AS SHOWN BELOW. PLACE TAPE MASTIC NEXT TO HEM OF THE BACKER (NOT ON TOP OF HEM). FASTEN LAP WITH STITCH FASTENERS. ROOF STRUCTURAL FASTENERS SHOULD BE USED TO FASTEN THROUGH PANEL FLAT INTO RAKE ANGLE.



NOTE 1: KEEP FASTENERS 2" AWAY FROM RAKE CLIPS!!

NOTE 2: AS A STANDARD, PANELS WILL BE STEPPED IF ROOF SLOPE IS < 1/2:12. FIELD MITERING WILL BE REQUIRED IF ROOF SLOPE IS > 1/2:12

ERECTOR NOTE:
PLACE WALL FASTENERS THROUGH RAKE ANGLE ONLY. DO NOT PLACE WALL FASTENERS THROUGH RAKE PARAPET TRIM.



RAKE PARAPET DETAIL

RAKE PARAPET DETAIL w/ WALL PANELS
SEE WALL SHEETING ERECTION NOTES FOR WALL PANEL FASTENER LOCATIONS

EF6050

Detailer Notes:

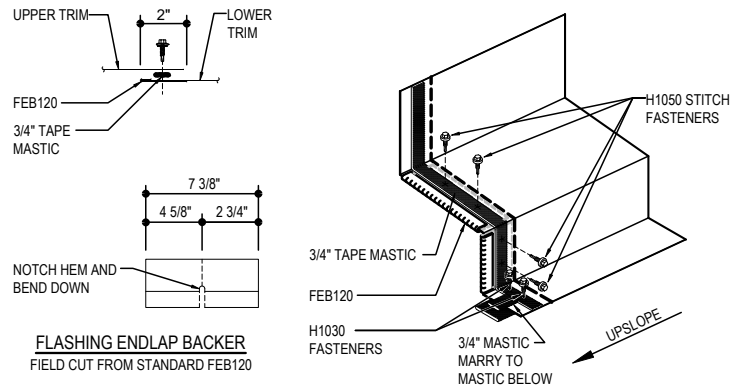
- 1) N/A

EF6060 - RAKE PARAPET w/ RAFTER IN LOW BUILDING

[Download the DWG file by clicking here.](#)

PARAPET LAP & FLASHING BACKER

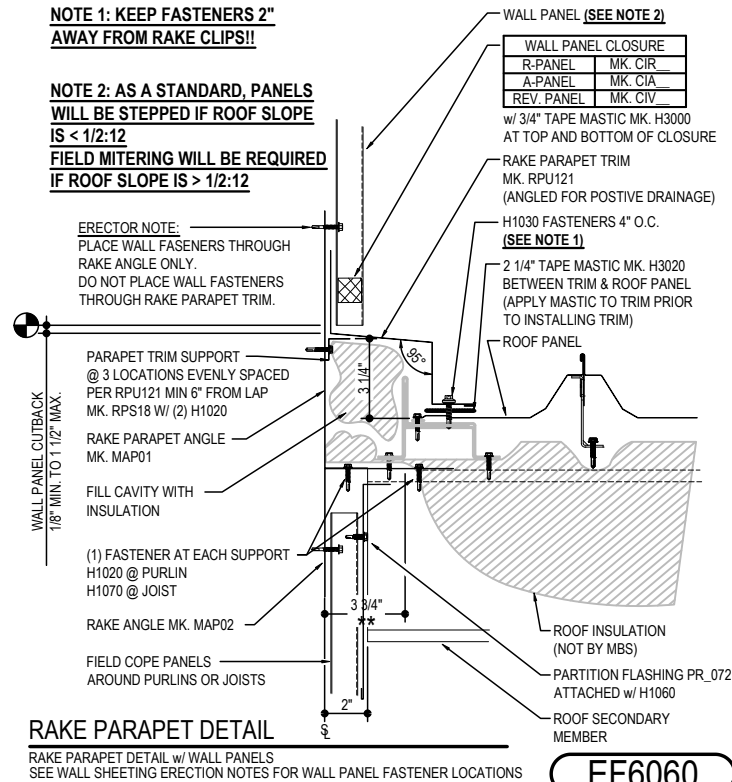
SLIDE FIELD CUT SECTION OF FLASHING ENDLAP BACKER ONTO THE LOWER TRIM PIECE AS SHOWN BELOW. PLACE TAPE MASTIC NEXT TO HEM OF THE BACKER (NOT ON TOP OF HEM). FASTEN LAP WITH STITCH FASTENERS. ROOF STRUCTURAL FASTENERS SHOULD BE USED TO FASTEN THROUGH PANEL FLAT INTO RAKE ANGLE.



NOTE 1: KEEP FASTENERS 2" AWAY FROM RAKE CLIPS!!

NOTE 2: AS A STANDARD, PANELS WILL BE STEPPED IF ROOF SLOPE IS < 1/2:12. FIELD MITERING WILL BE REQUIRED IF ROOF SLOPE IS > 1/2:12

ERECTOR NOTE:
PLACE WALL FASTENERS THROUGH RAKE ANGLE ONLY. DO NOT PLACE WALL FASTENERS THROUGH RAKE PARAPET TRIM.



Detailer Notes:

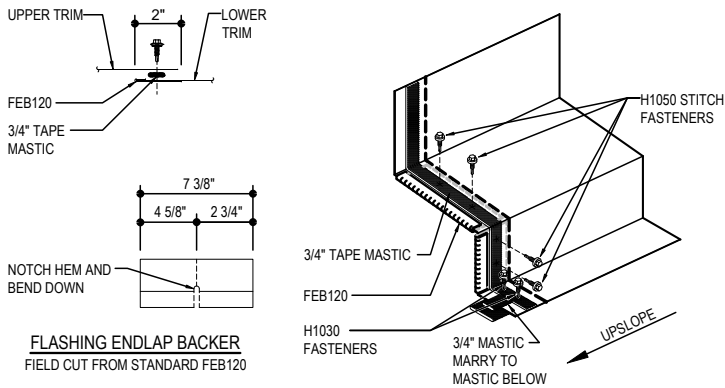
- 1) N/A

EF6090 - NON-STRUCTURAL PARAPET

[Download the DWG file by clicking here.](#)

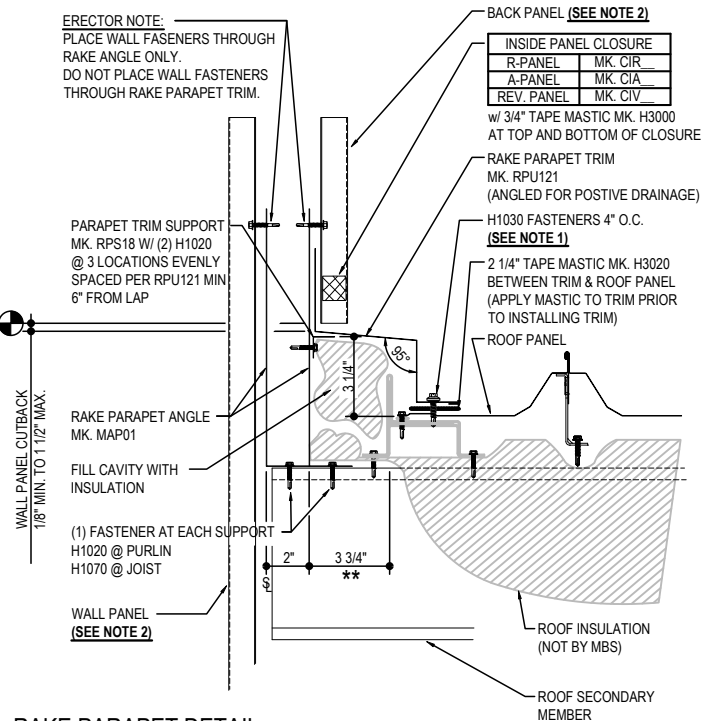
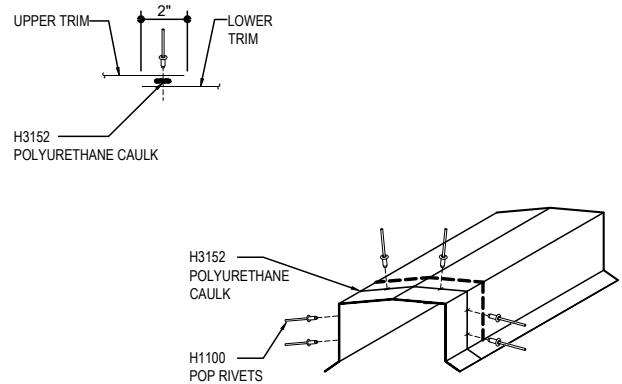
PARAPET LAP & FLASHING BACKER

SLIDE FIELD CUT SECTION OF FLASHING ENLAP BACKER ONTO THE LOWER TRIM PIECE AS SHOWN BELOW. PLACE TAPE MASTIC NEXT TO HEM OF THE BACKER (NOT ON TOP OF HEM). FASTEN LAP WITH STITCH FASTENERS. ROOF STRUCTURAL FASTENERS SHOULD BE USED TO FASTEN THROUGH PANEL FLAT INTO RAKE ANGLE.



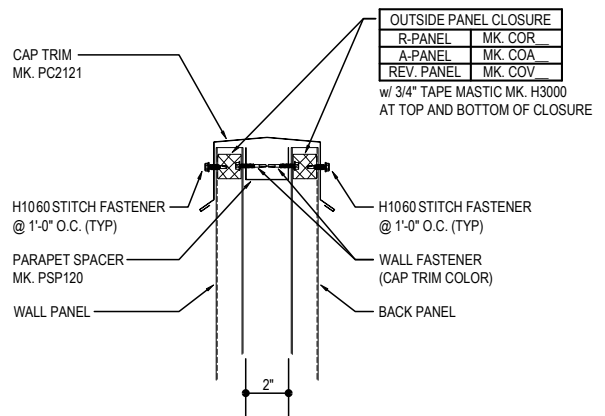
CAP TRIM LAP

APPLY CONTINUOUS BEAD OF CAULK 1" FROM END OF TRIM DOWN PROFILE OF TRIM. FASTEN LAP WITH POP RIVETS AS SHOWN.



NOTE 1: KEEP FASTENERS 2" AWAY FROM RAKE CLIPS!!

NOTE 2: AS A STANDARD, PANELS WILL BE STEPPED IF ROOF SLOPE IS < 1/2:12 FIELD MITERING WILL BE REQUIRED IF ROOF SLOPE IS > 1/2:12



RAKE PARAPET DETAIL

RAKE PARAPET DETAIL w/ WALL PANELS
SEE WALL SHEETING ERECTION NOTES FOR WALL PANEL FASTENER LOCATIONS

EF6090

Detailer Notes:

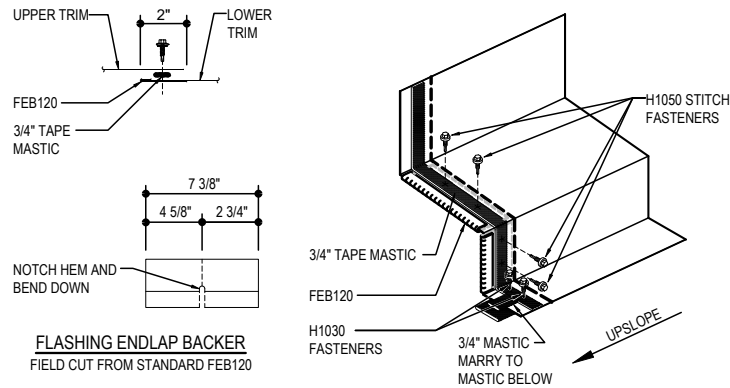
- 1) PANEL CLOSURES ARE ALWAYS REQUIRED AS A STANDARD AT THE BACK PANEL.
- 2) OUTSIDE WALL PANEL CLOSURES ARE OPTIONAL ON EXTERIOR PANEL. TURN OFF OUTSIDE CLOSURE LAYER IF NOT REQUIRED.

EF6610 - RAKE PARAPET w/ INSULATED WALL PANEL ABOVE

[Download the DWG file by clicking here.](#)

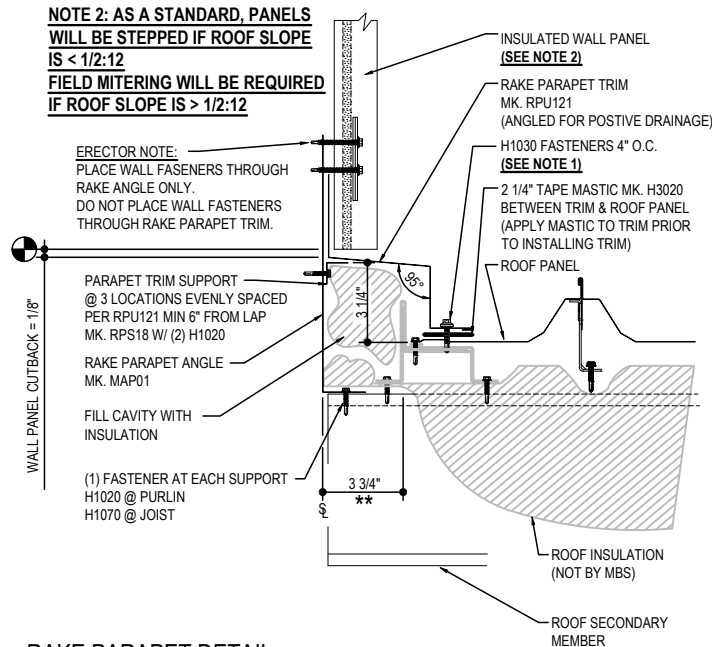
PARAPET LAP & FLASHING BACKER

SLIDE FIELD CUT SECTION OF FLASHING ENDLAP BACKER ONTO THE LOWER TRIM PIECE AS SHOWN BELOW. PLACE TAPE MASTIC NEXT TO HEM OF THE BACKER (NOT ON TOP OF HEM). FASTEN LAP WITH STITCH FASTENERS. ROOF STRUCTURAL FASTENERS SHOULD BE USED TO FASTEN THROUGH PANEL FLAT INTO RAKE ANGLE.



NOTE 1: KEEP FASTENERS 2" AWAY FROM RAKE CLIPS!!

NOTE 2: AS A STANDARD, PANELS WILL BE STEPPED IF ROOF SLOPE IS < 1/2:12
FIELD MITERING WILL BE REQUIRED IF ROOF SLOPE IS > 1/2:12



RAKE PARAPET DETAIL

RAKE PARAPET DETAIL w/ INSULATED WALL PANELS
SEE INSULATED WALL SHEETING ERECTION DETAILS FOR INSTALLATION INSTRUCTIONS.

EF6610

Detailer Notes:

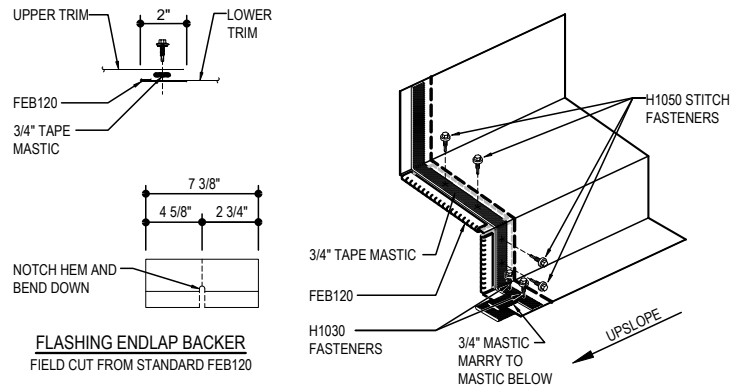
- 1) N/A

EF6650 - RAKE PARAPET w/ INSULATED WALL PANEL ABOVE/BELOW

[Download the DWG file by clicking here.](#)

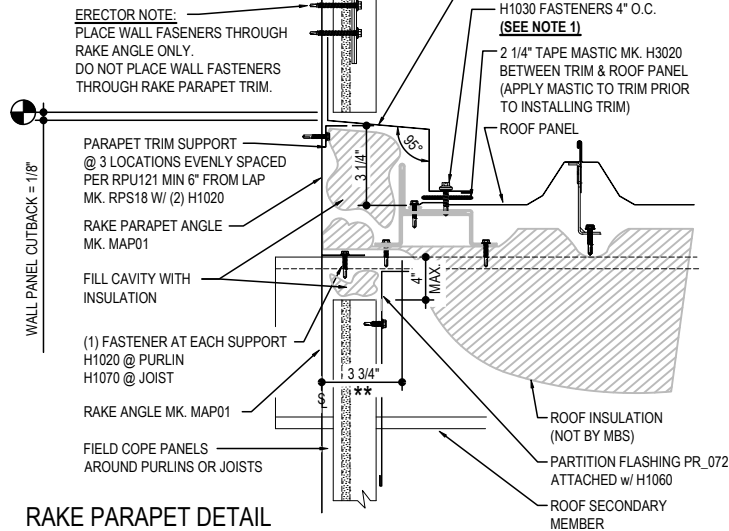
PARAPET LAP & FLASHING BACKER

SLIDE FIELD CUT SECTION OF FLASHING ENDLAP BACKER ONTO THE LOWER TRIM PIECE AS SHOWN BELOW. PLACE TAPE MASTIC NEXT TO HEM OF THE BACKER (NOT ON TOP OF HEM). FASTEN LAP WITH STITCH FASTENERS. ROOF STRUCTURAL FASTENERS SHOULD BE USED TO FASTEN THROUGH PANEL FLAT INTO RAKE ANGLE.



NOTE 1: KEEP FASTENERS 2" AWAY FROM RAKE CLIPS!!

NOTE 2: AS A STANDARD, PANELS WILL BE STEPPED IF ROOF SLOPE IS < 1/2:12
FIELD MITERING WILL BE REQUIRED IF ROOF SLOPE IS > 1/2:12



RAKE PARAPET DETAIL

RAKE PARAPET DETAIL w/ INSULATED WALL PANELS
SEE INSULATED WALL SHEETING ERECTION DETAILS FOR INSTALLATION INSTRUCTIONS.

EF6650

Detailer Notes:

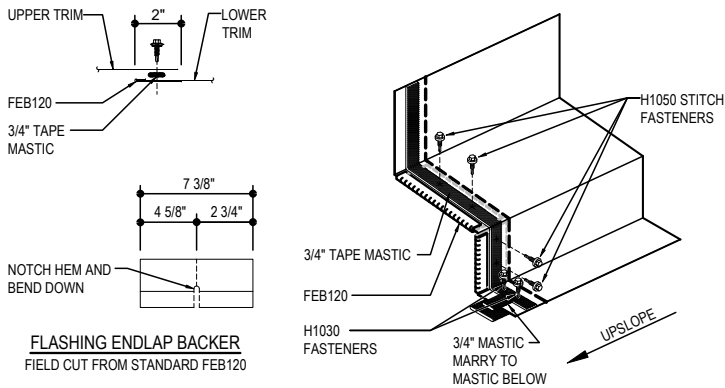
- 1) N/A

EF6690 - NON-STRUCTURAL PARAPET - IMP WITH BACKER

[Download the DWG file by clicking here.](#)

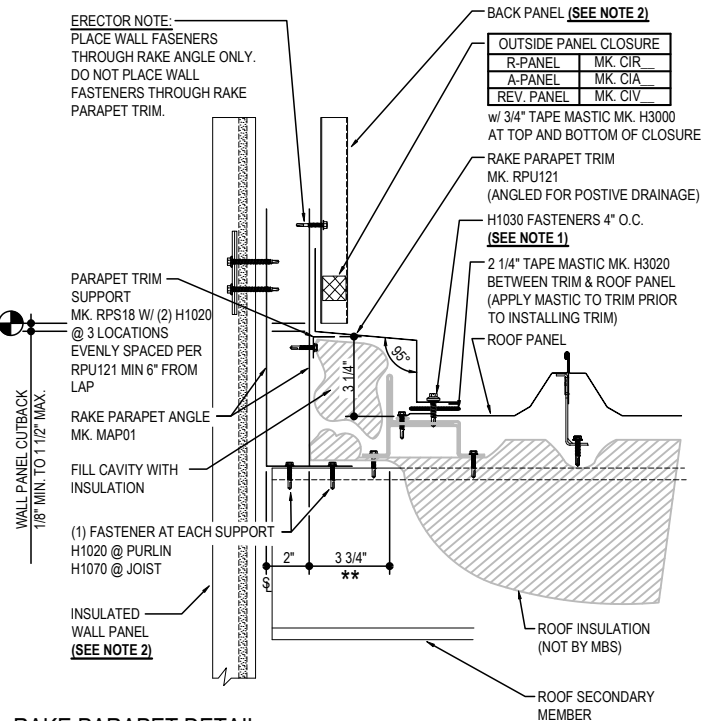
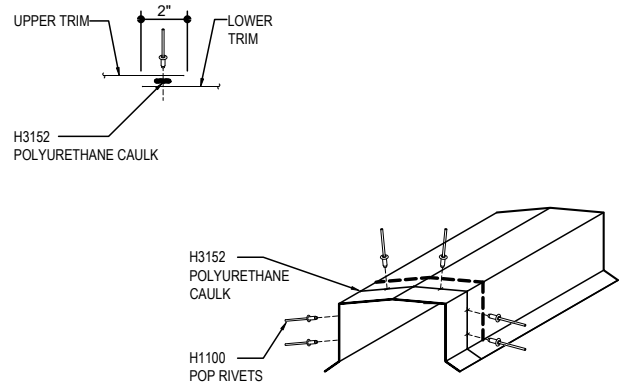
PARAPET LAP & FLASHING BACKER

SLIDE FIELD CUT SECTION OF FLASHING ENDLAP BACKER ONTO THE LOWER TRIM PIECE AS SHOWN BELOW. PLACE TAPE MASTIC NEXT TO HEM OF THE BACKER (NOT ON TOP OF HEM). FASTEN LAP WITH STITCH FASTENERS. ROOF STRUCTURAL FASTENERS SHOULD BE USED TO FASTEN THROUGH PANEL FLAT INTO RAKE ANGLE.



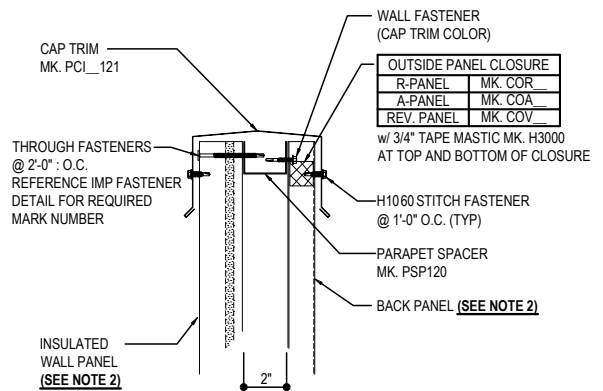
CAP TRIM LAP

APPLY CONTINUOUS BEAD OF CAULK 1\"/>



NOTE 1: KEEP FASTENERS 2\"/>

NOTE 2: AS A STANDARD, PANELS WILL BE STEPPED IF ROOF SLOPE IS < 1/2:12. FIELD MITERING WILL BE REQUIRED IF ROOF SLOPE IS > 1/2:12



RAKE PARAPET DETAIL

RAKE PARAPET DETAIL w/ WALL PANELS
SEE WALL SHEETING ERECTION NOTES FOR WALL PANEL FASTENER LOCATIONS

EF6690

Detailer Notes:

- 1) PANEL CLOSURES ARE ALWAYS REQUIRED AS A STANDARD AT THE BACK PANEL.
- 2) OUTSIDE WALL PANEL CLOSURES ARE OPTIONAL ON EXTERIOR PANEL. TURN OFF OUTSIDE CLOSURE LAYER IF NOT REQUIRED.